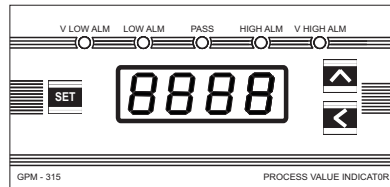
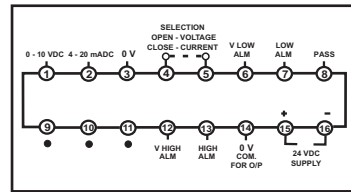


## Wiring diagram

### Front panel

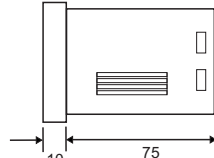
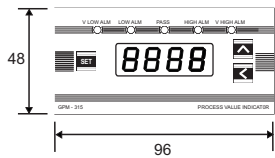


### Rear panel - Connection diagram

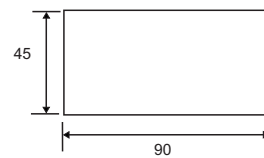


### ■ Dimensions

#### ● External dimensions



#### ● Panel cutout dimensions



All dimensions are in mm

## SPECIFICATIONS

|                        |  |
|------------------------|--|
| Range                  | 9999 Counts                                  |
| Display                | Six digits, 0.4 Inch seven segment LED       |
| Input                  | 0 - 10 VDC, 0 - 20 mA DC , and 4 - 20 mA DC  |
| Selection              | Open - Voltage, Close - Current              |
| Indications            | Very High, High, Low, Very Low, Pass         |
| Set points             | Five (Very High, High, Low, Very Low, Pass ) |
| Output                 | PNP Transistor Output ,Load upto 50 mA       |
| User programming       | 3 Keys & Display                             |
| Power consumption      | 1.7 W  |
| Supply voltage         | 24 V DC                                      |
| Operatingvoltage range | + / -10% from the rated voltage              |
| Weight                 | 170 grams                                    |
| Dimension (L x W x D)  | 96 x 48 x 75                                 |
| Ambient humidity       | 35 to 85 % RH                                |
| Ambient temperature    | -10 to 55 º                                  |
| Storage temperature    | -25 to 65 º                                  |
| In the pack            | counter, side clamp and instruction manual   |

## GPM - 315 ENGINEERING UNIT

**GREEN**<sup>TM</sup>  
COMPONENTS FOR AUTOMATION

### INSTRUCTION MANUAL

#### Introduction

Thank you very much for purchasing this GREEN product GPM - 315. Please read the instruction manual carefully for the full usage of this product

The Unit has passed various quality tests before despatch. Please check however, at the time of arrival, its model code and its appearance and ensure that all the contents are provided and there are no faults, damage etc, to the counter. Please also ensure that the model code ,which is labeled on the unit , is identical to the one you ordered.

#### Note :

- Our company shall not be liable for any damages, as described below, caused to both any users and third parties
  - Damages caused by the result of operation of the product.
  - Damages caused by any defects in the product which are unpredictable for us.
- The content in this manual are subject to change without any notice. If you have any suggestion on the matter, Please do not hesitate to contact us.

#### Precaution for safe use

- Use and store the unit within the specified ambient temperature and humidity ranges.
- Do not use the product in location subject to vibrations or shocks. Using the product in such location over a long period may result in damage due to stress.
- Do not use the product in locations subject to dust, corrosive gases, or direct sunlight
- Separate the input signal devices, input signal cables and the product from the source of noise or high - tension cables producing noise.
- The supplied power voltage and load must be within the rated and specified ranges.
- Do not use where the water or oil splatter on the unit
- Install a switch or circuit breaker that allows the operator to immediately turn off the power

#### Manufacturer

### GREEN MICROELECTRONICS INDIA PVT. LTD.

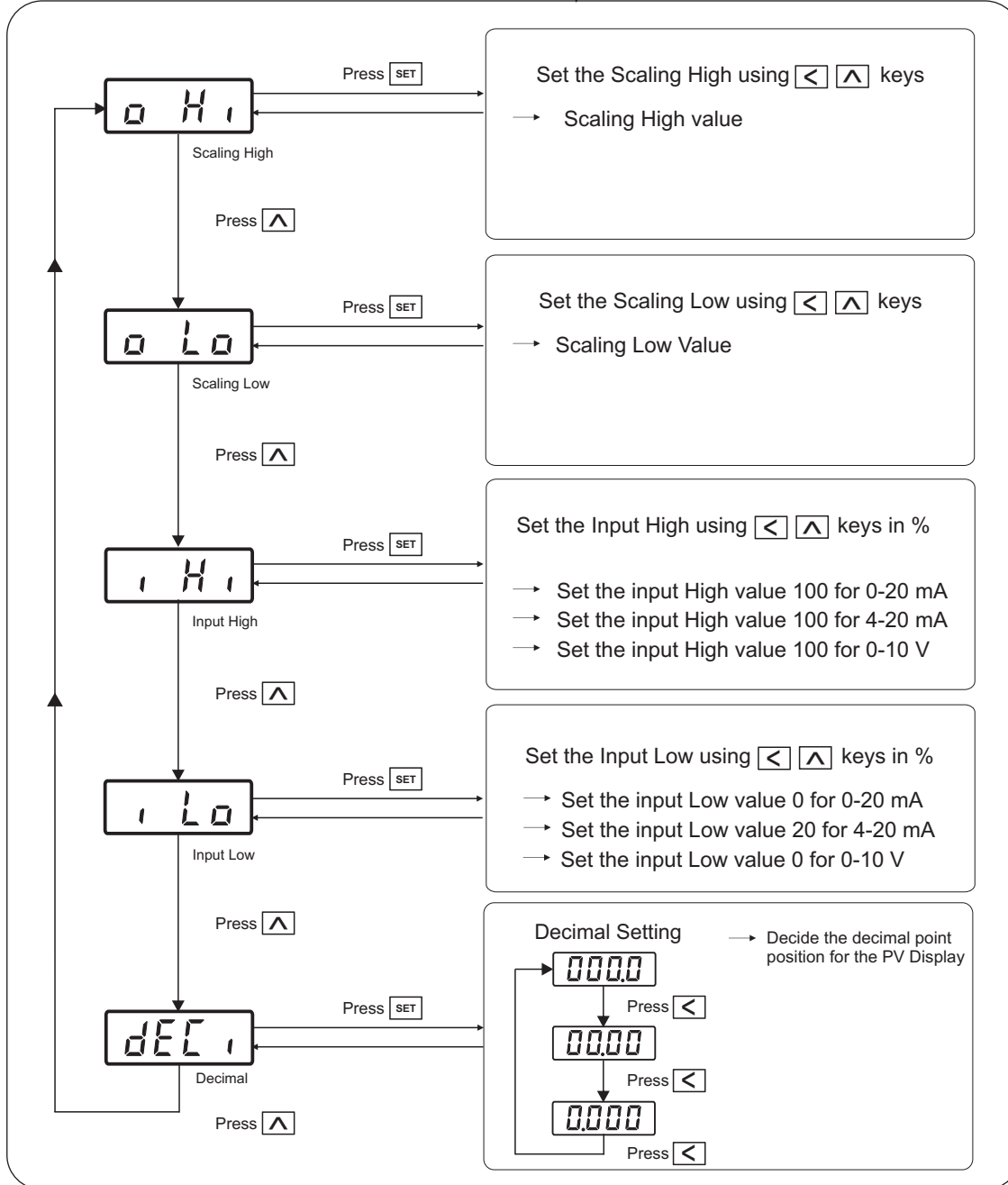
100 Taskant street, B.R. Puram, Peelamedu,  
Coimbatore - 641004. Phone no : 0422 4218101

e- mail : greenmicroelectronics@airtelmail.in - www.greenelectronics.in

# ■ Operation procedure :

## ● Initial Setting

Press **SET** before Power ON



Power ON

## ● Operation level

**0.000** PV

## ● Parameter setting

