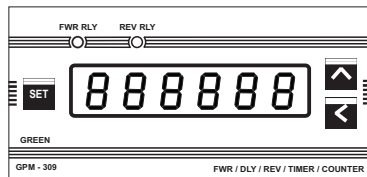
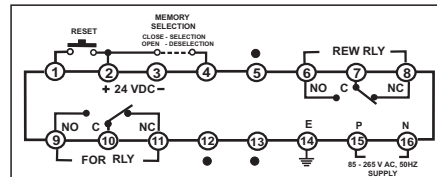


Wiring diagram

Front panel

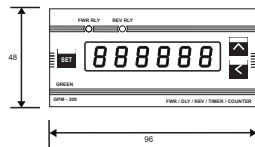


Rear panel - Connection diagram

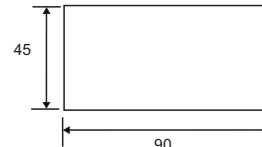
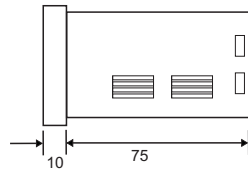


■ Dimensions

● External dimensions



● Panel cutout dimensions



All dimensions are in mm

SPECIFICATIONS

| | |
|--|--|
| Forward , delay and reverse timing Range | 00000.0 to 99999.9 Sec |
| Counter | 999999 Counts |
| Display | Six digits, 0.5 Inch seven segment LED |
| Reset | Remote |
| Set points , Output | Four , Two relays, 1 c/o + 1 c/o |
| Status indication - Red LED | For / Rev Relay |
| Relay contact rating (Resistive load) | 10 A @ 230 VAC / 30 VDC |
| Mechanical life of relay | 10 million operation |
| Electrical life of relay | 100,000 operation |
| User programming | 3 Keys & Display |
| Count direction - Timer | Down |
| Count direction - Counter | Up |
| Power consumption | 3.5 VA |
| Supply voltage | 85 - 265 VAC |
| Operating voltage range | + / -10% from the rated voltage |
| Operating Frequency | 50 Hz |
| Weight | 380 grams |
| Dimension (L x W x D) | 96 x 48 x 75 |
| Ambient humidity | 35 to 85 % RH |
| Ambient temperature | -10 to 55°C |
| Storage temperature | -25 to 65°C |
| In the pack | Timer, side clamp and instruction manual |

GPM - 309

FOR / DLY / REV TIMER / COUNTER

GREENTM
COMPONENTS FOR AUTOMATION

INSTRUCTION MANUAL

Introduction

Thank you very much for purchasing this GREEN product GPM - 309. Please read the instruction manual carefully for the full usage of this product

This product has passed various quality tests before despatch. Please check however, at the time of arrival, its model code and its appearance and ensure that all the contents are provided and there are no faults, damage etc, to this unit. Please also ensure that the model code ,which is labeled on the product, is identical to the one you ordered.

Note :

- Our company shall not be liable for any damages, as described below, caused to both any users and third parties
 - Damages caused by the result of operation of the product.
 - Damages caused by any defects in the product which are unpredictable for us.
- The content in this manual are subject to change without any notice. If you have any suggestion on the matter, Please do not hesitate to contact us.

Precaution for safe use

- Use and store this unit within the specified ambient temperature and humidity ranges.
- Do not use the product in location subject to vibrations or shocks. Using the product in such location over a long period may result in damage due to stress.
- Do not use the product in locations subject to dust, corrosive gases, or direct sunlight
- Separate the input signal devices, input signal cables and the product from the source of noise or high - tension cables producing noise.
- The supplied power voltage and load must be within the rated and specified ranges.
- Do not use where the water or oil splatter on this unit.
- Install a switch or circuit breaker that allows the operator to immediately turn off the power

Manufacturer

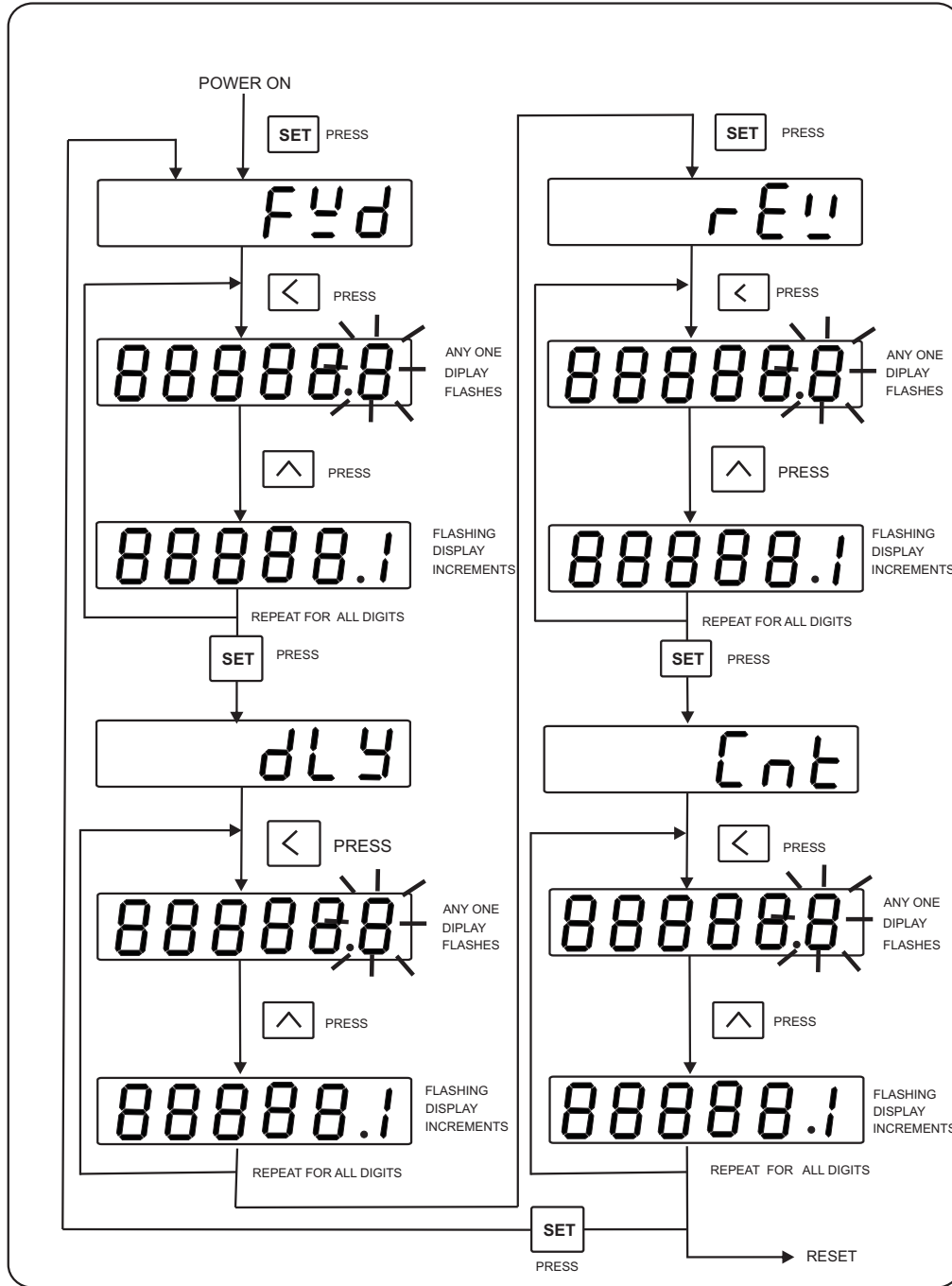
GREEN MICROELECTRONICS INDIA PVT. LTD.

100 Taskant street, B.R. Puram, Peelamedu,
Coimbatore - 641004. Phone no : 0422 4218101

e- mail : greenmicroelectronics@airtelmail.in web site : www.greenelectronics.in

■ Operation procedure :

SET VALUE SELECTION



OPERATION LEVEL

