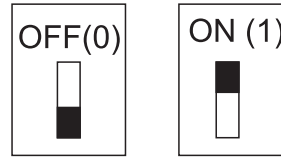


SPECIFICATION

Model	GPH-008
Supply Voltage	24V DC
Current Consumption	≤ 55mA
Sound Output	110±2 dB
Alternate Tone Option	Yes (Through Terminal)
Alternate Tone Input Type	NPN Input
Tone Selection	Yes (Through Dip Switch)
Number Of Tones	8 Different Tones
Mounting Type	Screw
Ambient Temperature	-25°C to +60°C
Storage Temperature	-25°C to +60°C
Dimension	Ø101mm x 82mm (DxH)
Weight	320 grams
In the pack	Hooter + Specification Sheet

TONE SELECTION



GPH-008

HOOTER

GREEN
greenelectronics.in

INTRODUCTION

Thank you very much for purchasing this product GPH-008. Please read the instruction manual carefully for the full usage of this product

The Hooter has passed various quality tests before despatch. Please check however, at the time of arrival, its model code and its appearance and ensure that all the contents are provided and there are no faults, damage etc, to the module. Please also ensure that the model code, which is labeled on the module, is identical to the one you ordered.

NOTE:

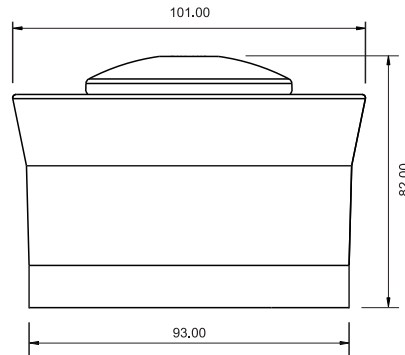
- Our company shall not be liable for any damages, as described below, caused to both any users and third parties
 - Damages caused by the result of operation of the product.
 - Damages caused by any defects in the product which are unpredictable for us.
- The content in this manual are subject to change without any notice. If you have any suggestion on the matter, Please do not hesitate to contact us.

PRECAUTION FOR SAFE USE

- Use and store the Hooter within the specified ambient temperature and humidity ranges.
- Do not use the product in location subject to vibrations or shocks. Using the product in such location over a long period may result in damage due to stress.
- Do not use the product in locations subject to dust, corrosive gases, or direct sunlight
- Separate the input signal devices, input signal cables and the product from the source of noise or high - tension cables producing noise
- The supplied voltage and load must be within the rated and specified ranges.
- Do not use where the water or oil splatter on the Hooter.
- Install a switch or circuit breaker that allows the operator to immediately turn off the power

DIMENSIONS

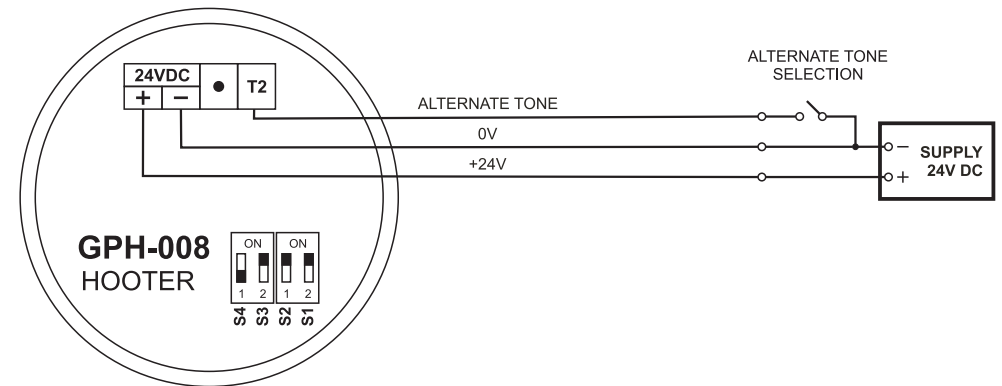
SIDE VIEW



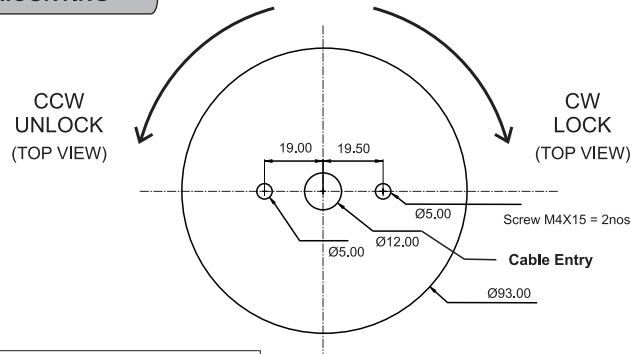
SELECTION TABLE

S4	S3	S2	S1	Alternate Tone OFF	Alternate Tone ON
0	0	0	0	TONE 1	TONE 6
0	0	0	1	TONE 2	TONE 6
0	0	1	0	TONE 3	TONE 2
0	0	1	1	TONE 4	TONE 6
0	1	0	0	TONE 5	TONE 6
0	1	0	1	TONE 6	TONE 6
0	1	1	0	TONE 7	TONE 8
0	1	1	1	TONE 8	TONE 7

CIRCUIT DIAGRAM

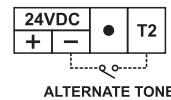


MOUNTING



All dimensions are in mm

ALTERNATE TONE SELECTION



ALTERNATE TONE OFF

T2 Terminal = OPEN

ALTERNATE TONE ON

T2 Terminal = CLOSE

MANUFACTURER

GREEN MICROELECTRONICS INDIA PVT. LTD.

www.greenelectronics.in